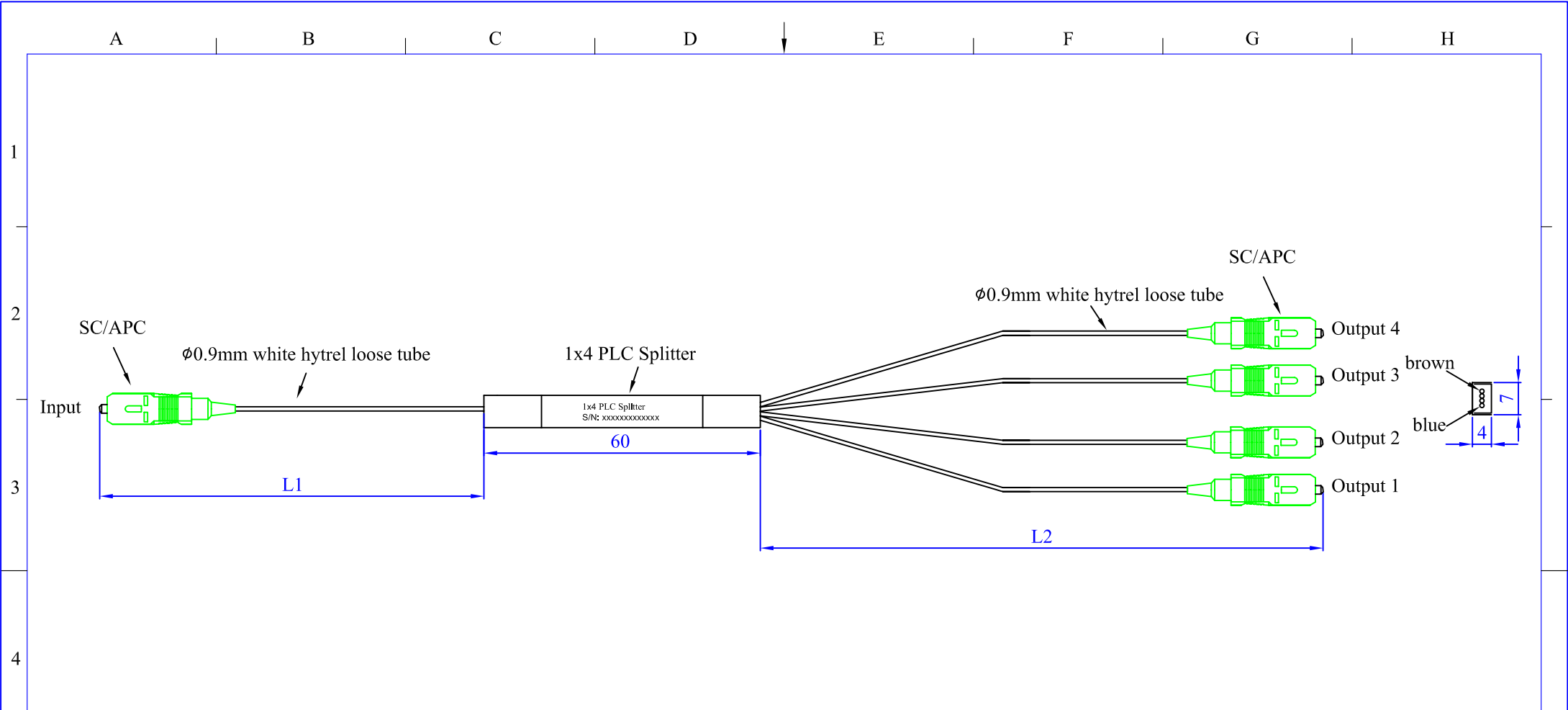


**Technical requirement:**

Type 1xN		1x2
Operating wavelength range (nm)		1260~1650
Test wavelength (nm)		1310/1550
Insertion loss (dB)	Max	4.3(with connectors)
PDL (dB)	Max	0.2
Uniformity (dB)	Max	0.4
Return loss (dB)	Min	55
Directivity (dB)	Min	55
Operating temperature (°C)		-40~+85
Storage temperature (°C)		
Dimension (mm)	LxWxH	60x7x4
Fiber type		G652D/G657A1/G657A2
Connector type		SC/LC/FC

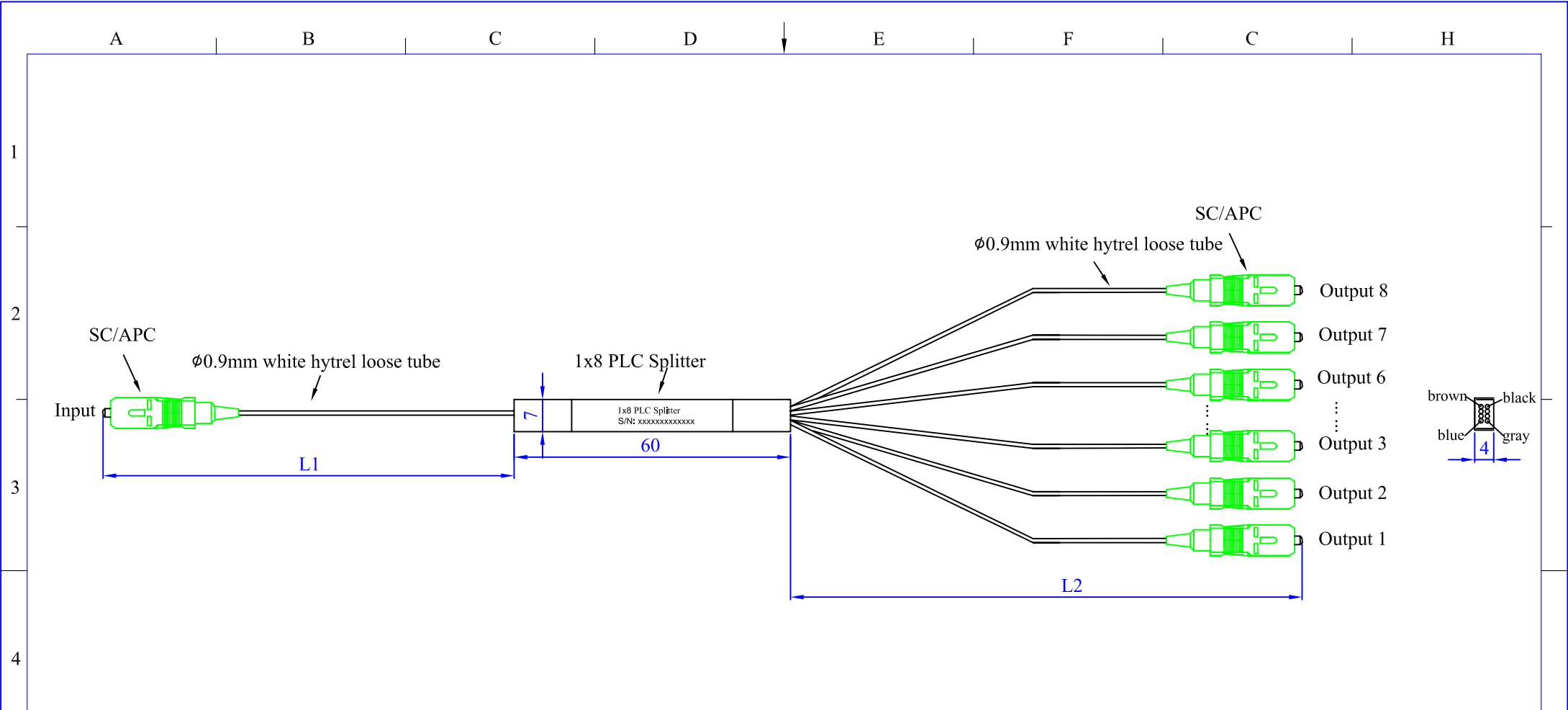
<b>Title</b>	PLC Splitter 1x2 Mini-Module 900um loose tube input L1m output L2m size 60x7x4mm		
Drawing	Steven	Item No	
Check	Henry	Drawing No:	
Approval	Williams		
Date	2018	Page: 1-1	職和光电科技有限公司 XH Opto Tech Co.,Ltd



**Technical requirement:**

Type 1xN		1x4
Operating wavelength range (nm)		1260~1650
Test wavelength (nm)		1310/1550
Insertion loss (dB)	Max	7.5 (with connectors)
PDL (dB)	Max	0.2
Uniformity (dB)	Max	0.6
Return loss (dB)	Min	55
Directivity (dB)	Min	55
Operating temperature (°C)		-40~+85
Storage temperature (°C)		
Dimension (mm)	LxWxH	60x7x4
Fiber type		G652D/G657A1/G657A2
Connector type		SC/LC/FC

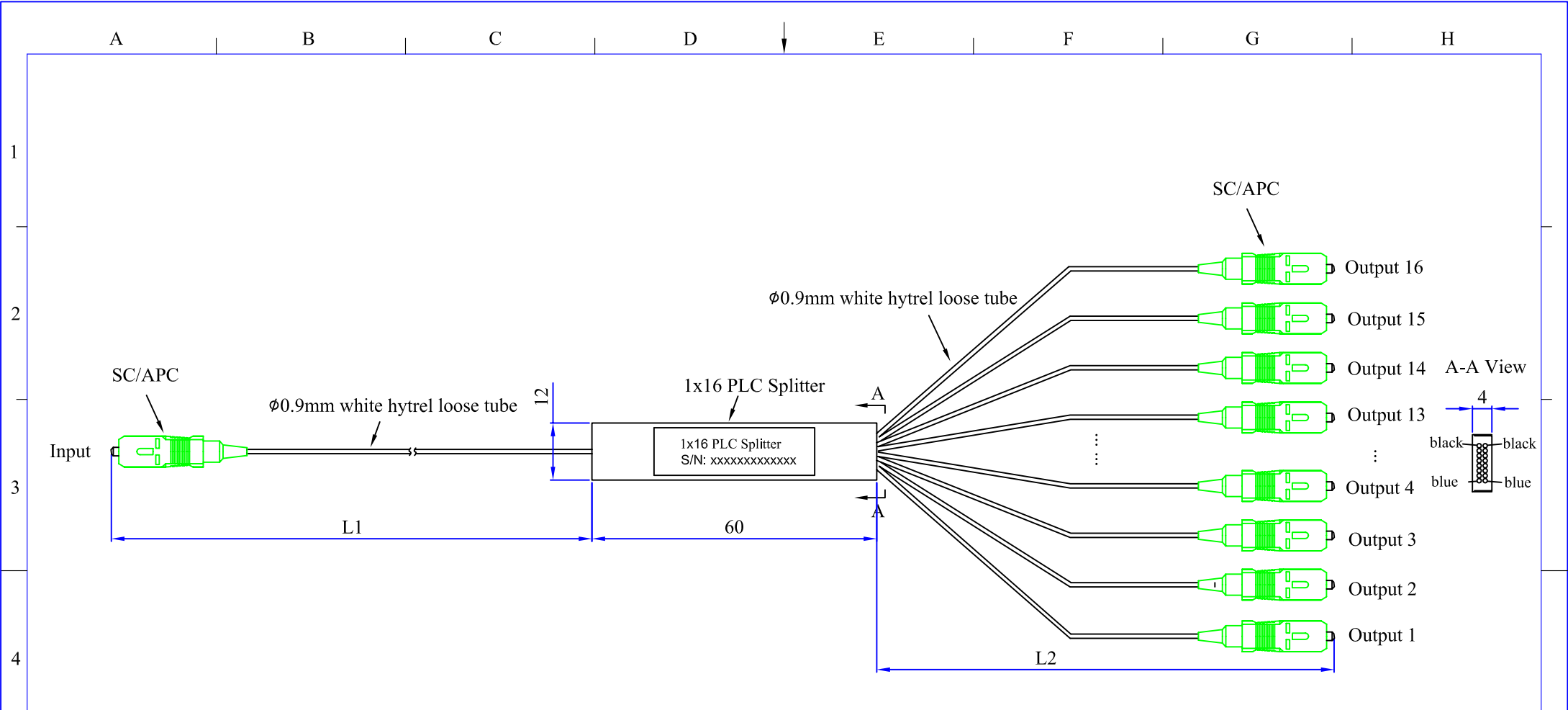
<b>Title</b>	PLC Splitter 1x4 Mini-Module 900um loose tube input L1m output L2m size 60x7x4mm		
Drawing	Steven	Item No	
Check	Henry	Drawing No:	
Approval	Williams		
Date	2018	Page: 1-1	職和光电科技有限公司 XH Opto Tech Co.,LTD



**Technical requirement:**

Type 1xN		1x8
Operating wavelength range (nm)		1260~1650
Test wavelength (nm)		1310/1550
Insertion loss (dB)	Max	10.8 (with connectors)
PDL (dB)	Max	0.2
Uniformity (dB)	Max	0.8
Return loss (dB)	Min	55
Directivity (dB)	Min	55
Operating temperature (°C)		-40~+85
Storage temperature (°C)		
Dimension (mm)	LxWxH	60x7x4
Fiber type		G652D/G657A1/G657A2
Connector type		SC/LC/FC

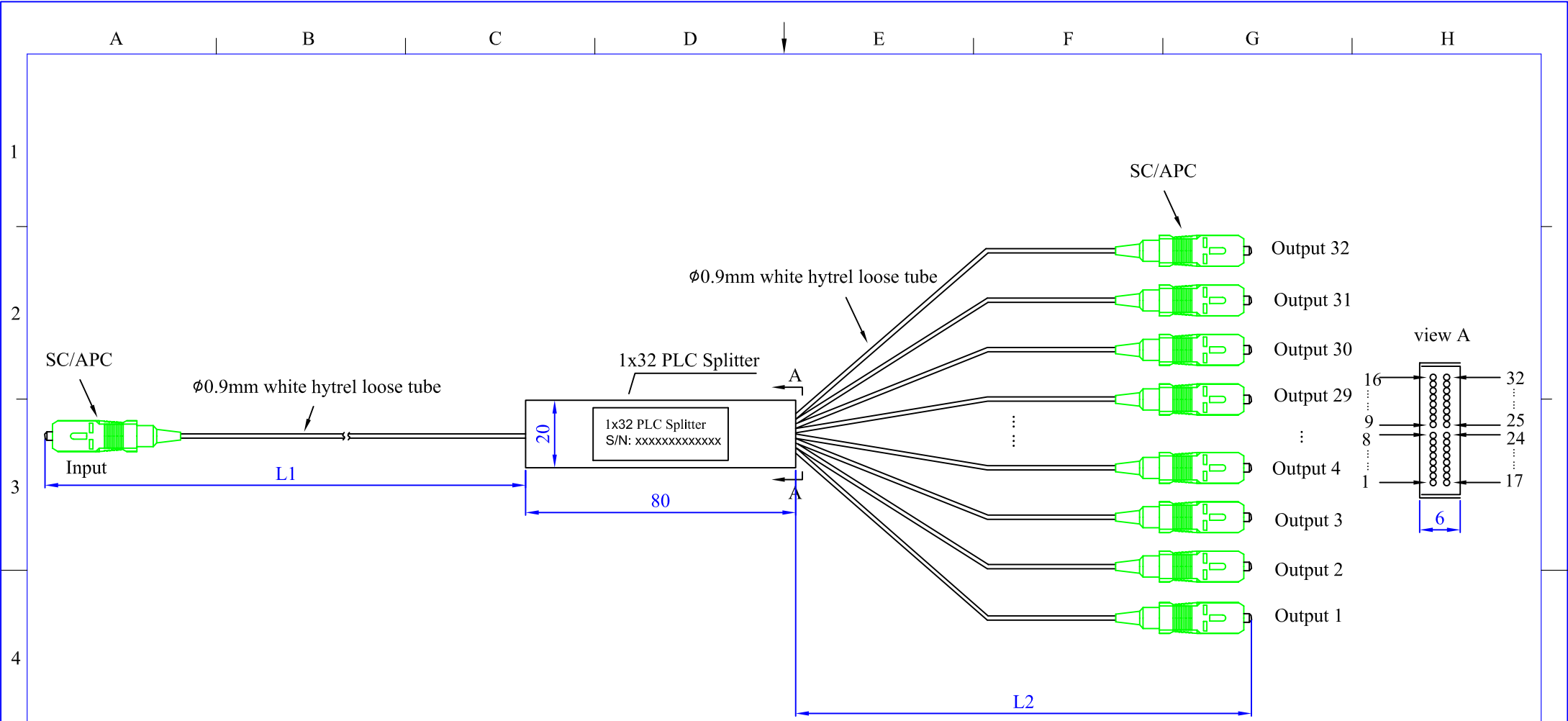
<b>Title</b>	PLC Splitter 1x8 Mini-Module 900um loose tube input L1m output L2m size 60x7x4mm		
Drawing	Steven	Item No	
Check	Henry	Drawing No:	
Approval	Williams		職和光电科技有限公司 XH Opto Tech Co.,Ltd
Date	2018	Page: 1-1	



**Technical requirement:**

Type 1xN		1x16
Operating wavelength range (nm)		1260~1650
Test wavelength (nm)		1310/1550
Insertion loss (dB)	Max	14.0 (with connectors)
PDL (dB)	Max	0.3
Uniformity (dB)	Max	1.2
Return loss (dB)	Min	55
Directivity (dB)	Min	55
Operating temperature (°C)		-40~+85
Storage temperature (°C)		
Dimension (mm)	LxWxH	60x12x4
Fiber type		G652D/G657A1/G657A2
Connector type		SC/LC/FC

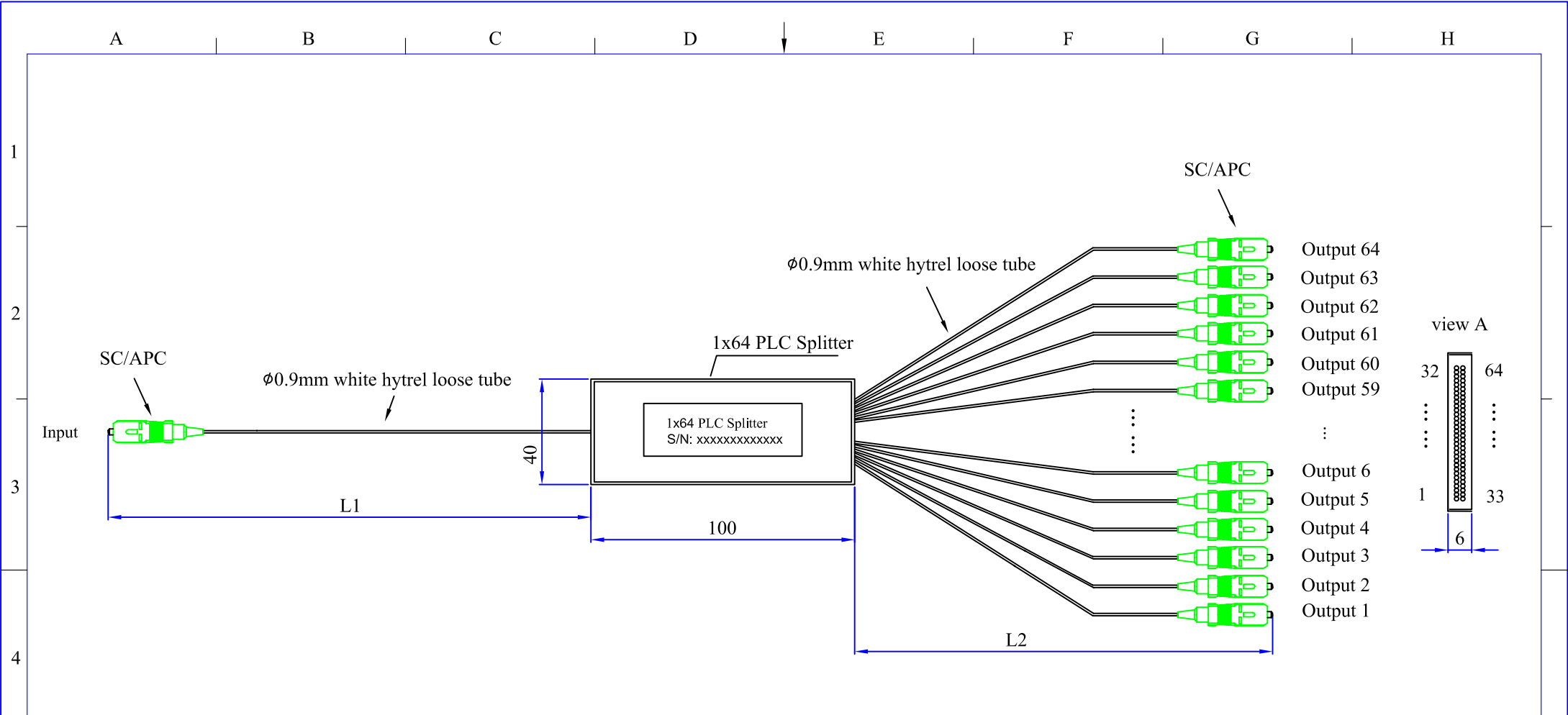
<b>Title</b>	PLC Splitter 1x16 Mini-Module 900um loose tube input L1m output L2m size 60x12x4mm		
Drawing	Steven	Item No	
Check	Henry	Drawing No:	
Approval	Williams		
Date	2018	Page: 1-1	職和光电科技有限公司 XH Opto Tech Co.,Ltd



**Technical requirement:**

Type 1xN		1x32
Operating wavelength range (nm)		1260~1650
Test wavelength (nm)		1310/1550
Insertion loss (dB)	Max	17.3 (with connectors)
PDL (dB)	Max	0.3
Uniformity (dB)	Max	1.5
Return loss (dB)	Min	55
Directivity (dB)	Min	55
Operating temperature (°C)		-40~+85
Storage temperature (°C)		
Dimension (mm)	LxWxH	80x20x6
Fiber type		G652D/G657A1/G657A2
Connector type		SC/LC/FC

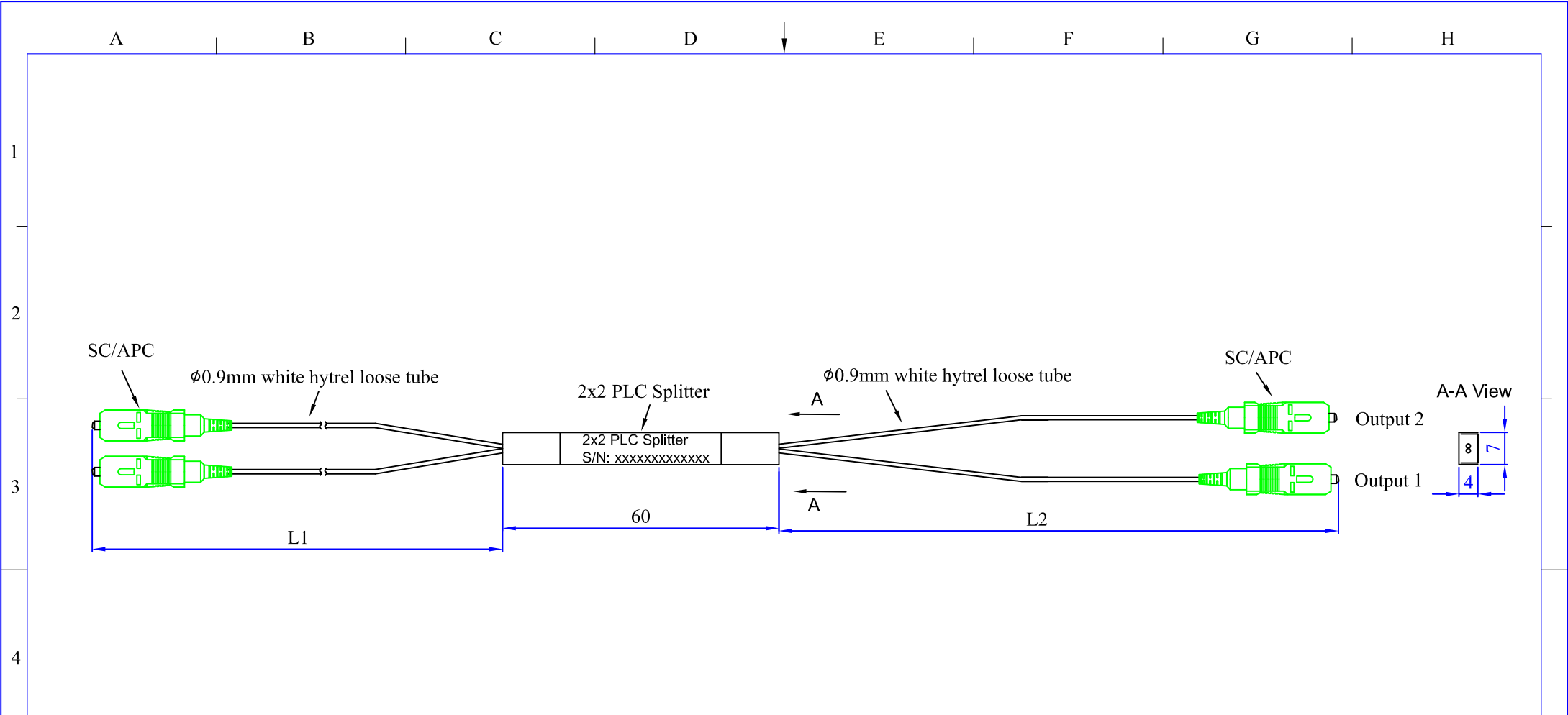
<b>Title</b>	PLC Splitter 1x32 Mini-Module 900um loose tube input L1m output L2m size 80x20x6mm		
Drawing	Steven	Item No	
Check	Henry	Drawing No:	
Approval	Williams		曦和光电科技有限公司 XH Opto Tech Co.,LTd
Date	2018	Page: 1-1	



**Technical requirement:**

Type 1xN		1x64
Operating wavelength range (nm)		1260~1650
Test wavelength (nm)		1310/1550
Insertion loss (dB)	Max	20.9 (with connectors)
PDL (dB)	Max	0.35
Uniformity (dB)	Max	2.0
Return loss (dB)	Min	55
Directivity (dB)	Min	55
Operating temperature (°C)		-40~+85
Storage temperature (°C)		
Dimension (mm)	LxWxH	100x40x6
Fiber type		G652D/G657A1/G657A2
Connector type		SC/LC/FC

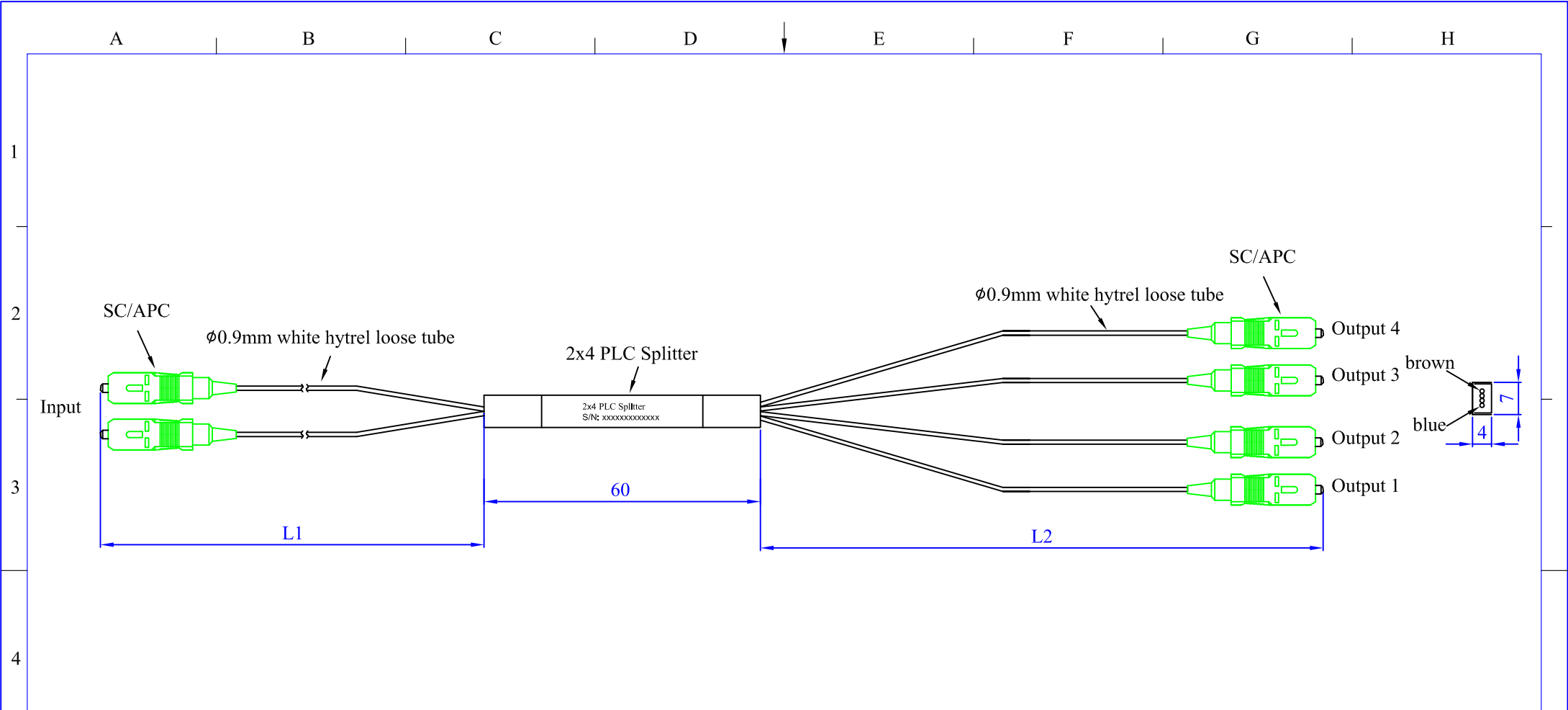
<b>Title</b>	PLC Splitter 1x64 Mini-Module 900um loose tube in out L1m out L2 size 100x40x6mm		
Drawing	Steven	Item No	
Check	Henry	Drawing No:	
Approval	Williams		
Date	2018	Page: 1-1	聯和光电科技有限公司 XH Opto Tech Co.,Ltd



**Technical requirement:**

Type 2xN		2x2
Operating wavelength range (nm)		1260~1650
Test wavelength (nm)		1310/1550
Insertion loss (dB)	Max	4.8(with connectors)
PDL (dB)	Max	0.3
Uniformity (dB)	Max	1.0
Return loss (dB)	Min	55
Directivity (dB)	Min	55
Operating temperature (°C)		-40~+85
Storage temperature (°C)		
Dimension (mm)	LxWxH	60x7x4
Fiber type		G652D/G657A1/G657A2
Connector type		SC/LC/FC

<b>Title</b>	PLC Splitter 2x2 Mini-Module 900um loose tube input L1m output L2m size 60x7x4mm		
Drawing	Steven	Item No	
Check	Henry	Drawing No:	
Approval	Williams		職和光电科技有限公司 XH Opto Tech Co.,LTD
Date	2018	Page: 1-1	

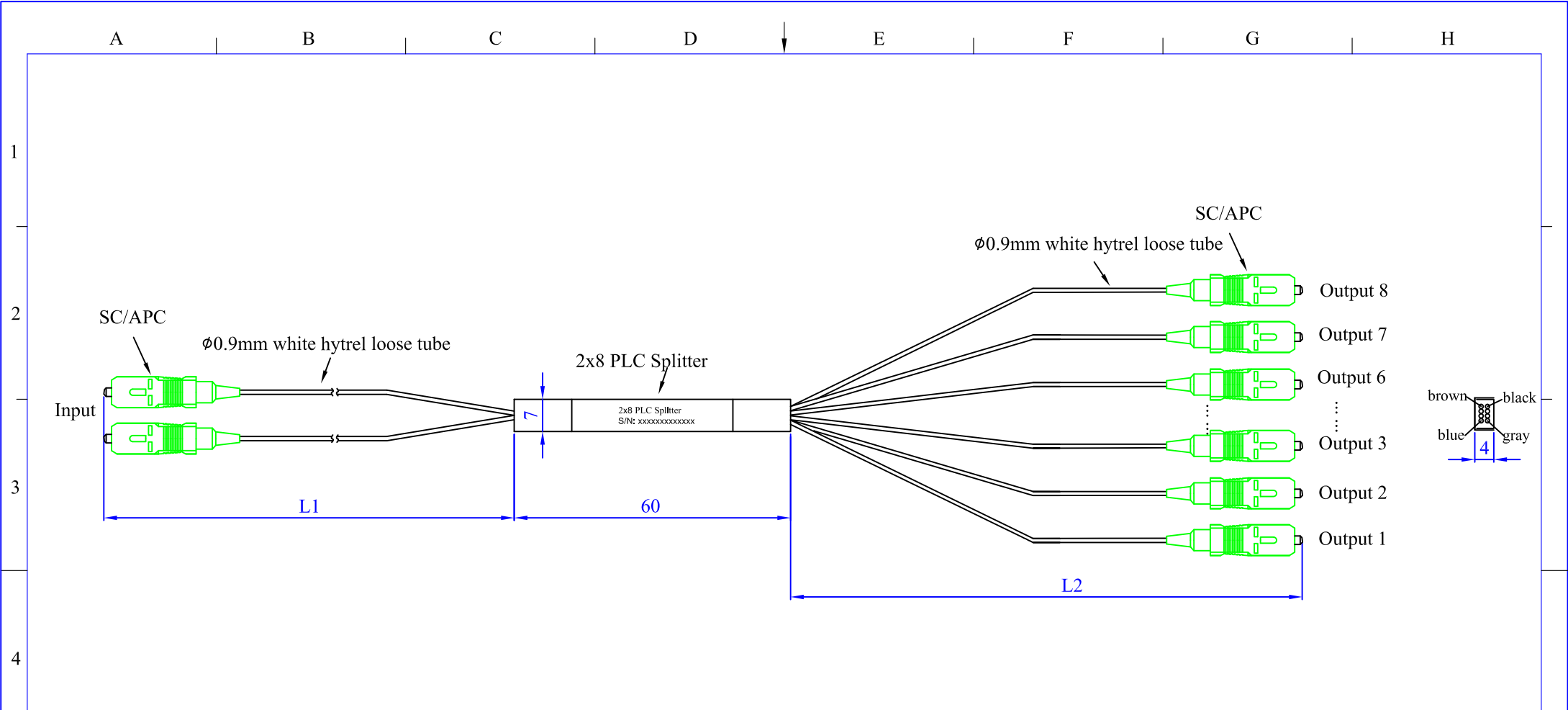


**Technical requirement:**

Type 2xN		2x4
Operating wavelength range (nm)		1260~1650
Test wavelength (nm)		1310/1550
Insertion loss (dB)	Max	8.0 (with connectors)
PDL (dB)	Max	0.3
Uniformity (dB)	Max	1.5
Return loss (dB)	Min	55
Directivity (dB)	Min	55
Operating temperature (°C)		-40~+85
Storage temperature (°C)		
Dimension (mm)	LxWxH	60x7x4
Fiber type		G652D/G657A1/G657A2
Connector type		SC/LC/FC

<b>Title</b>	PLC Splitter 2x4 Mini-Module 900um loose tube input L1m output L2m size 60x7x4mm		
<b>Drawing</b>	Steven	Item No	
<b>Check</b>	Henry	Drawing No:	
<b>Approval</b>	Williams		曦和光电科技有限公司 XH Opto Tech Co.,LTd
<b>Date</b>	2018	Page: 1-1	

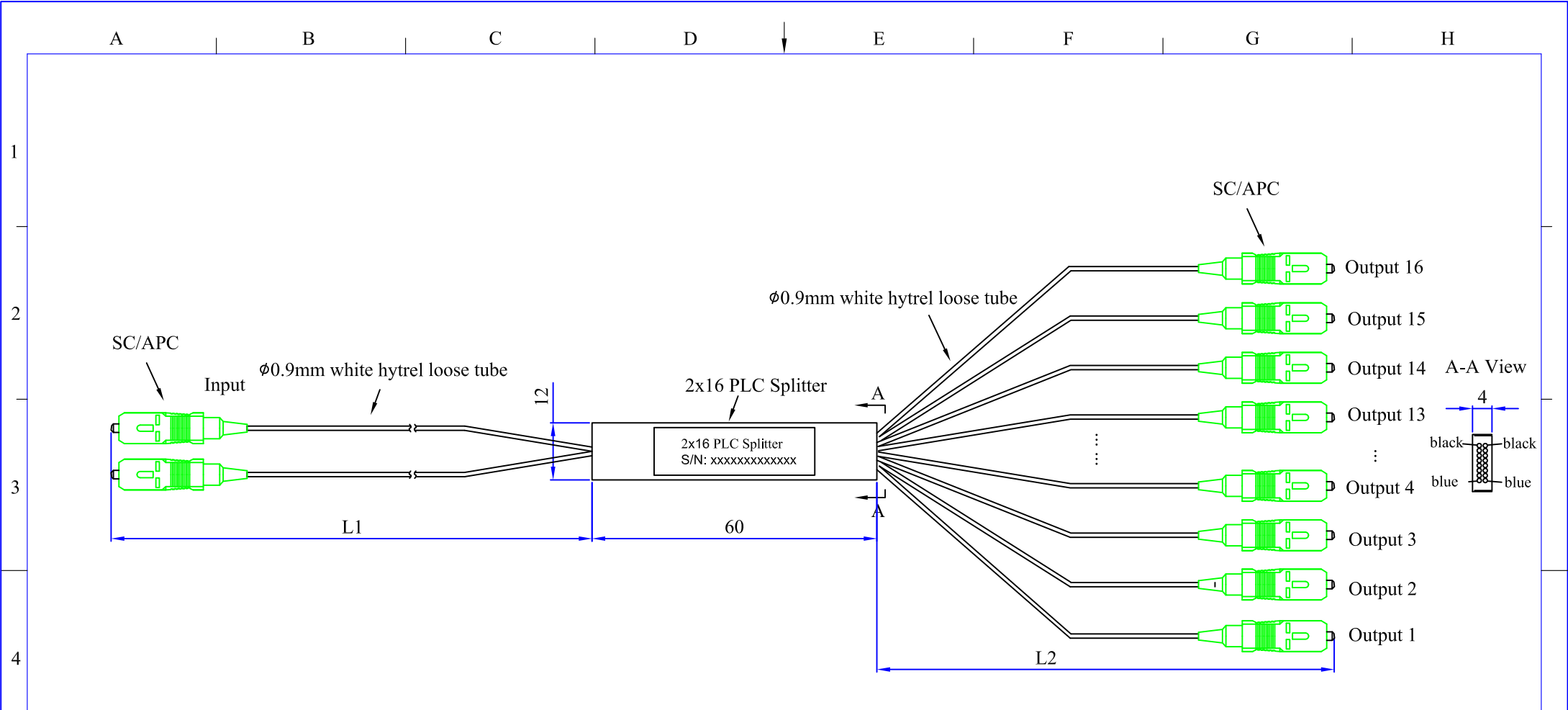




**Technical requirement:**

Type 2xN		2x8
Operating wavelength range (nm)		1260~1650
Test wavelength (nm)		1310/1550
Insertion loss (dB)	Max	11.4 (with connectors)
PDL (dB)	Max	0.3
Uniformity (dB)	Max	1.5
Return loss (dB)	Min	55
Directivity (dB)	Min	55
Operating temperature (°C)		-40~+85
Storage temperature (°C)		
Dimension (mm)	LxWxH	60x7x4
Fiber type		G652D/G657A1/G657A2
Connector type		SC/LC/FC

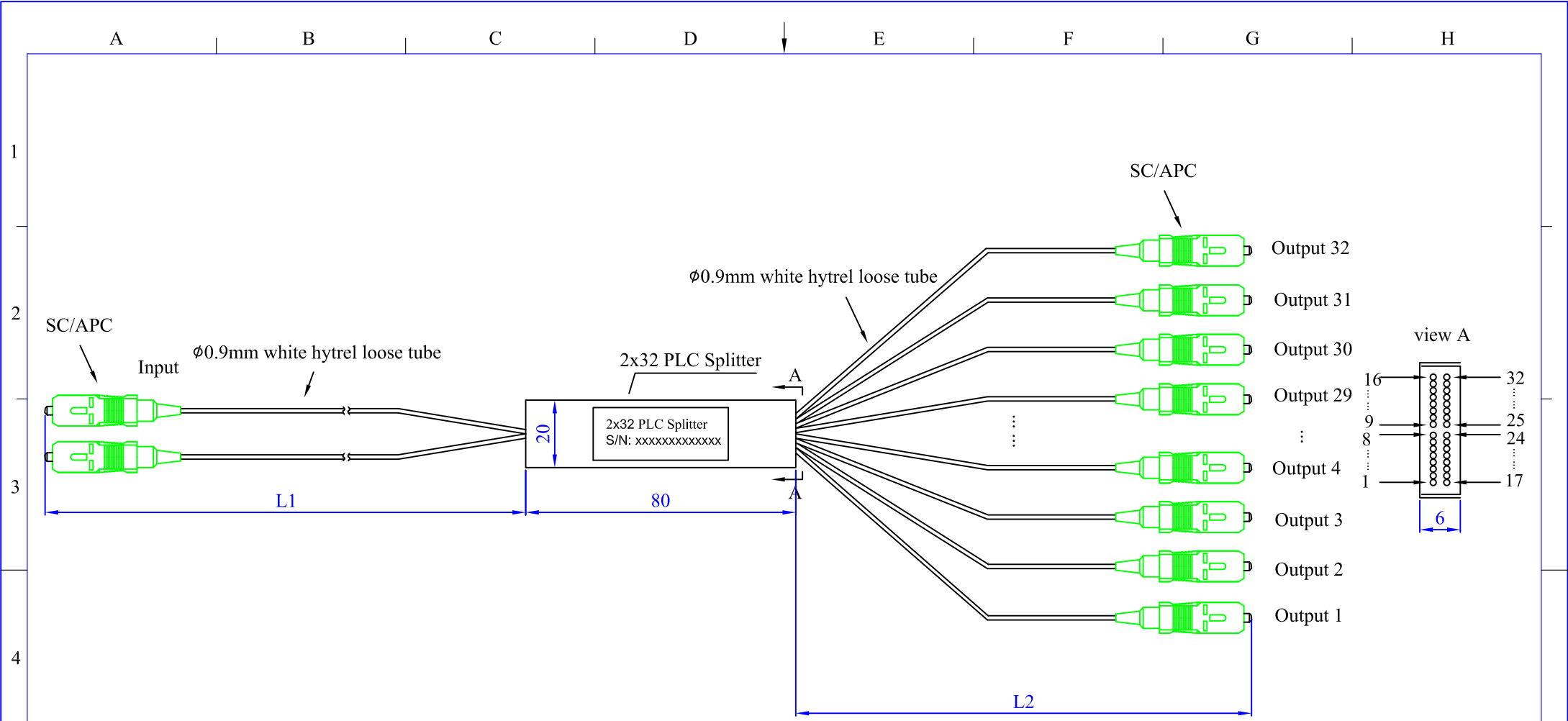
<b>Title</b>	PLC Splitter 2x8 Mini-Module 900um loose tube input L1m output L2m size 80x20x6mm		
Drawing	Steven	Item No	
Check	Henry	Drawing No:	
Approval	Williams		
Date	2018	Page: 1-1	職和光电科技有限公司 XH Opto Tech Co.,LTd



**Technical requirement:**

Type 2xN		2x16
Operating wavelength range (nm)		1260~1650
Test wavelength (nm)		1310/1550
Insertion loss (dB)	Max	14.6 (with connectors)
PDL (dB)	Max	0.3
Uniformity (dB)	Max	2.0
Return loss (dB)	Min	55
Directivity (dB)	Min	55
Operating temperature (°C)		-40~+85
Storage temperature (°C)		
Dimension (mm)	LxWxH	60x12x4
Fiber type		G652D/G657A1/G657A2
Connector type		SC/LC/FC

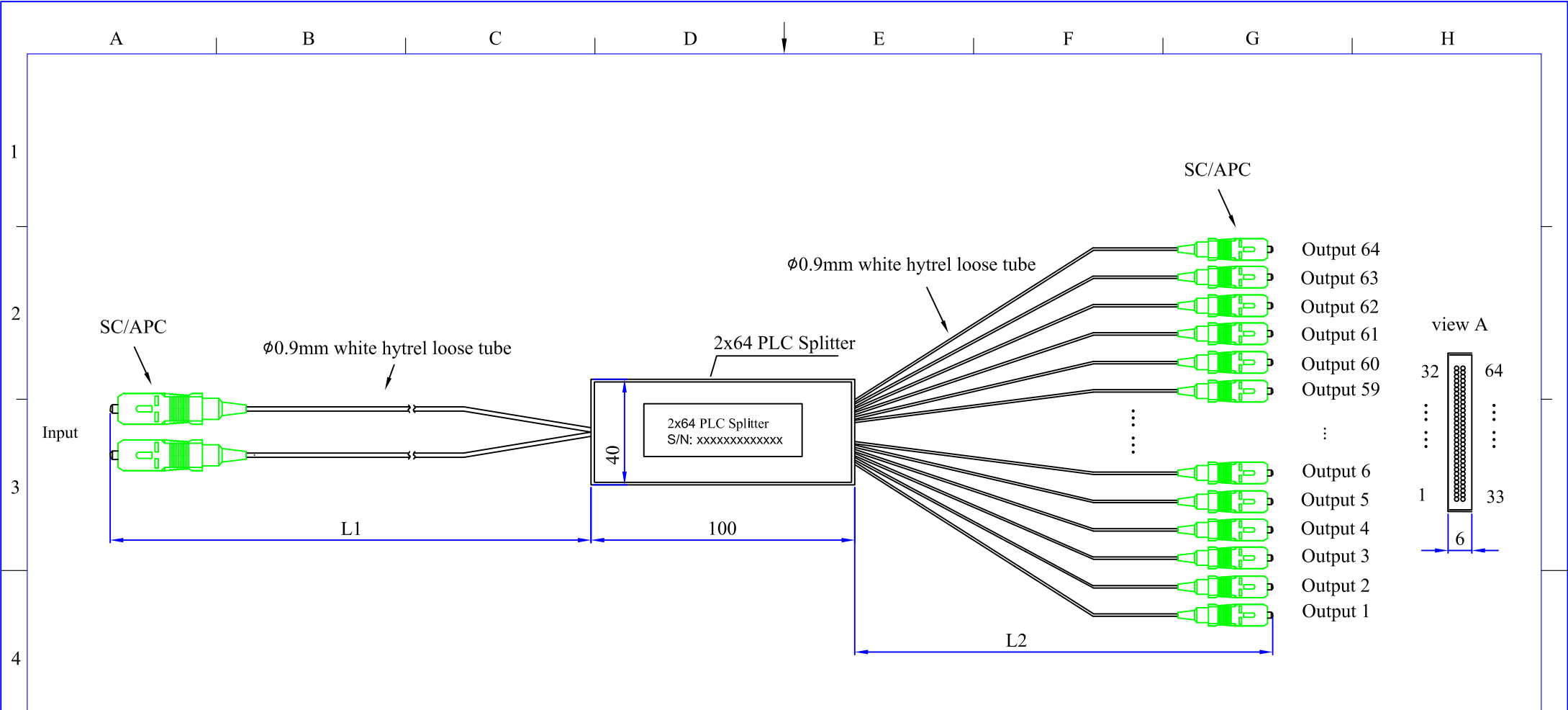
<b>Title</b>	PLC Splitter 2x16 Mini-Module 900um loose tube input L1m output L2m size 80x20x6mm		
Drawing	Steven	Item No	
Check	Henry	Drawing No:	
Approval	Williams		
Date	2018	Page: 1-1	職和光电科技有限公司 XH Opto Tech Co.,Ltd



**Technical requirement:**

Type 2xN		2x32
Operating wavelength range (nm)		1260~1650
Test wavelength (nm)		1310/1550
Insertion loss (dB)	Max	18.1 (with connectors)
PDL (dB)	Max	0.3
Uniformity (dB)	Max	2.0
Return loss (dB)	Min	55
Directivity (dB)	Min	55
Operating temperature (°C)		-40~+85
Storage temperature (°C)		
Dimension (mm)	LxWxH	80x20x6
Fiber type		G652D/G657A1/G657A2
Connector type		SC/LC/FC

<b>Title</b>	PLC Splitter 2x32 Mini-Module 900um loose tube input L1m output L2m size 80x20x6mm		
Drawing	Steven	Item No	
Check	Henry	Drawing No:	
Approval	Williams		曦和光电科技有限公司 XH Opto Tech Co.,LTd
Date	2018	Page: 1-1	



**Technical requirement:**

Type 2xN		2x64
Operating wavelength range (nm)		1260~1650
Test wavelength (nm)		1310/1550
Insertion loss (dB)	Max	21.6(with connectors)
PDL (dB)	Max	0.5
Uniformity (dB)	Max	2.5
Return loss (dB)	Min	55
Directivity (dB)	Min	55
Operating temperature (°C)		-40~+85
Storage temperature (°C)		
Dimension (mm)	LxWxH	100x40x6
Fiber type		G652D/G657A1/G657A2
Connector type		SC/LC/FC

Title			
PLC Splitter 2x64 Mini-Module 900um loose tube input L1m output L2m size 80x20x6mm			
Drawing	Steven	Item No	
Check	Henry	Drawing No:	
Approval	Williams		
Date	2018	Page: 1-1	職和光电科技有限公司 XH Opto Tech Co.,Ltd